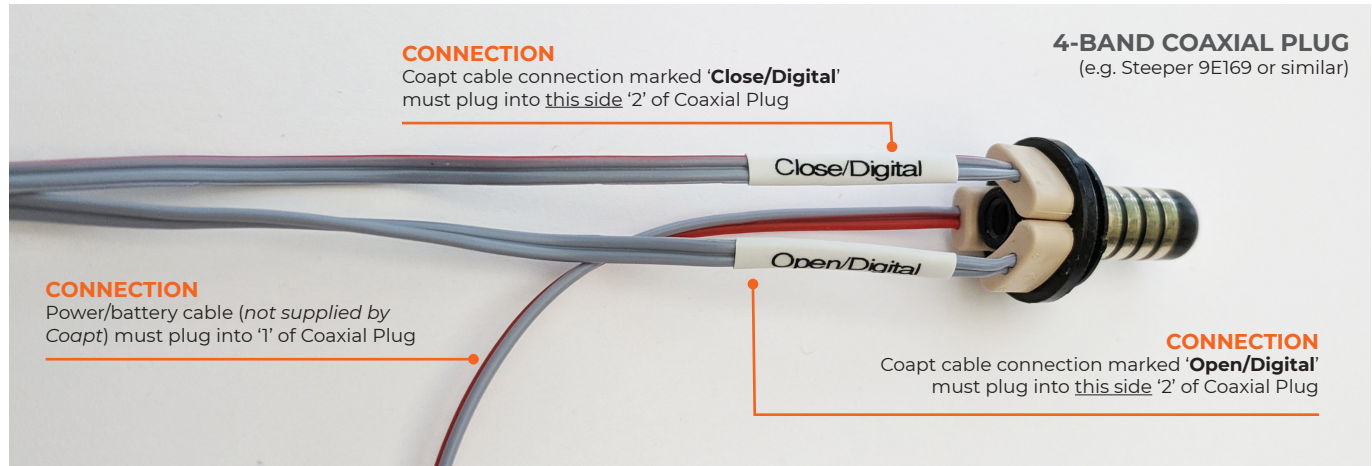


H3 CLINICAL CONNECTIONS & SETTINGS GUIDE

H3 controls direct pattern recognition command of the new generation Ottobock bebionic* where no powered wrist or elbow is present. (*with serial numbers BB1000-0_B)

PART 1: PHYSICAL CONNECTIONS



PART 2: SOFTWARE SETTINGS

HANDS

OTTOBOCK BEBIONIC*

Ensure hand settings are the factory defaults