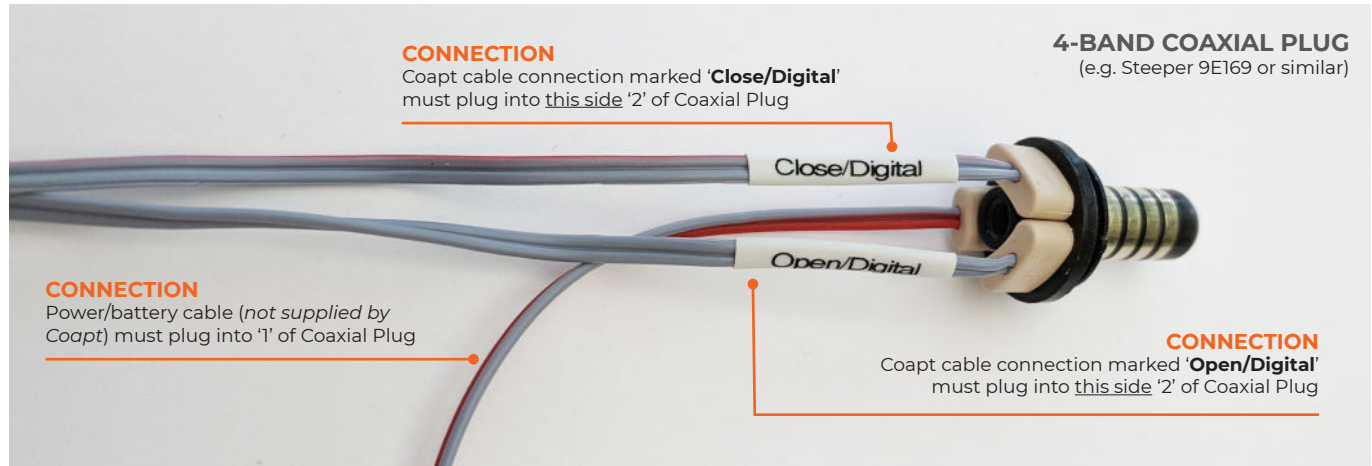


# H3

## CLINICAL CONNECTIONS & SETTINGS GUIDE

H3 controls direct pattern recognition command of the new generation Ottobock bebionic\* where no powered wrist or elbow is present. (\*with serial numbers BB1000-0\_B)

### PART 1: PHYSICAL CONNECTIONS



### PART 2: SOFTWARE SETTINGS

#### ELBOW

##### ESPIRE CLASSIC PLUS

For more information on connecting our Coapt System to this device please reference our Espire Classic Plus + Coapt Compatibilites Guide.



#### HANDS

##### OTTOBOCK BEBIONIC\*

Ensure hand settings are the factory defaults